

ENGLISH INSTRUCTIONS

WET[®]

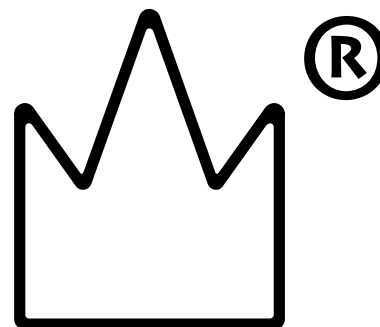
Via Altipiano 11, 21010 Porto Valtravaglia

Lago Maggiore - ITALIA

+39 3452107207

www.wet.co.it

© 2019 WET Srl



LIGHT by WET®

LTB™ washbasin 48x38x19cm / wall-mounted / ©2002 **CE** - EN14688 - 2006 - CL00*

LTT™ bathtub 175x85x60cm / free-standing / ©2003 **CE** - EN14516 - 2006 + A1 - 2010 - CL1 - CA - DA

FS I™ washbasin 34x34x92cm / free-standing / ©2008 **CE** - EN14688 - 2006 - CL00*

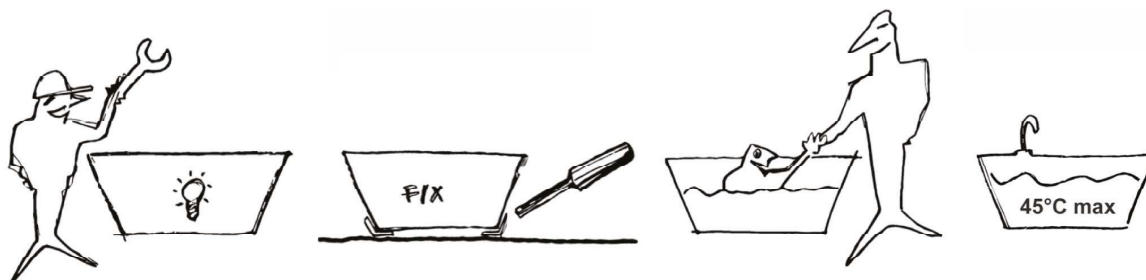
FS 3™ washbasin 48x48x88cm / free-standing / ©2016 **CE** - EN14688-2006 - CL10*

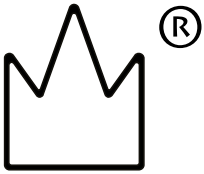
CL00* For hygienical reasons, WET chooses NOT to have any overflow. When however an overflow is requested, it can be added at small additional cost also after the original purchase.



The security of the **LIGHT by WET®** line of products can only be guaranteed when installation is done following these instructions.

1. Installation has to be done by qualified installers only, both electrician and plumber, and according to the established security-rules of the country of installation. LIGHT™ has been produced following the European security indications and can therefore be guaranteed only in the European territory.
2. A damaged appliance or cable may not be repaired or replaced. In that case the appliance has to be destroyed.
3. All appliances have to be firmly fixed to the wall or floor. Once fixed the appliance has to achieve a IPX6 protection at the top and sides and a IPX4 protection at the bottom-side.
4. LIGHT™ is NOT a toy. Children must be accompanied and looked after at all times.
5. The maximum temperature of bathing water should not exceed 40 to 45°C in order to avoid skin injury or material damage.
6. It is necessary to keep these instructions for eventual future consultation.





EN



LTT™

LIGHT BATHTUB by WET®



LTT™ bathtub 175x85x60cm / free-standing / ©2003 CE

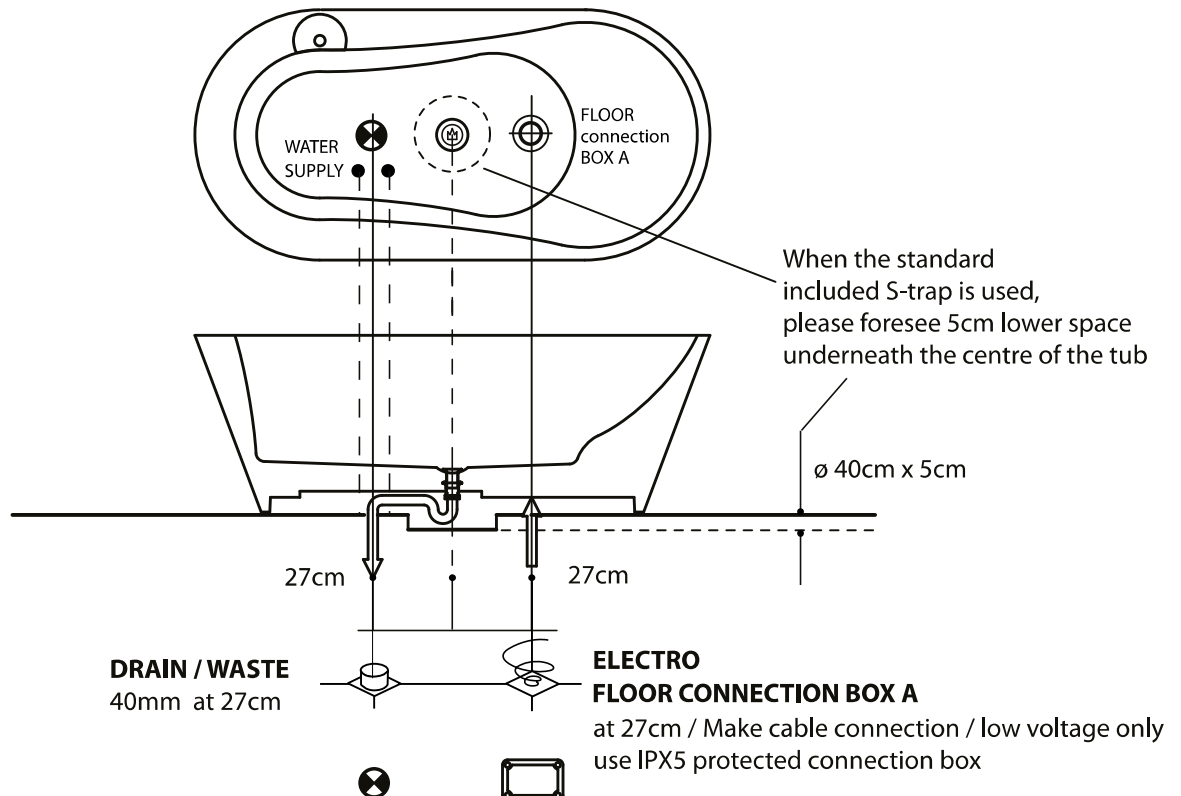
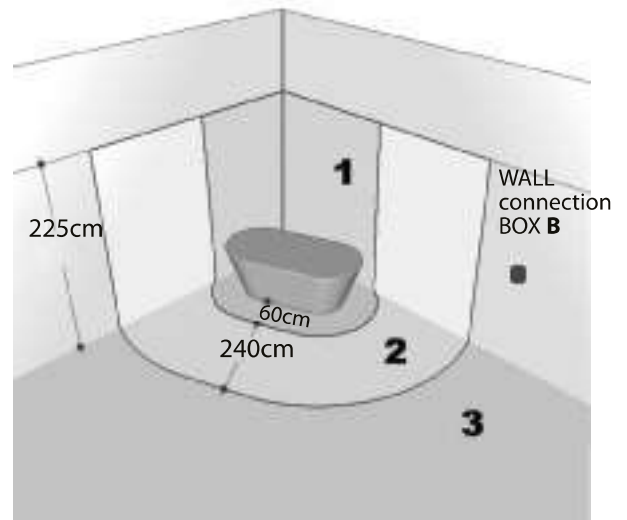
PRE-INSTALLATION of LTT bathtub

Follow the established security-rules of the country of installation, considering the bathroom-zones 1 / 2 / 3 as indicated, and check the particular safety-regulations for the bathrooms in your country.

ALL WET APPLIANCES ARE LOW VOLTAGE (A). MAKE SURE THAT THE HIGH VOLTAGE TRANSFORMER (B) IS PLACED AT SECURE DISTANCE AND WITH APPROPRIATE (IPX5) PROTECTION FROM THE USER AND FROM THE BATHTUB AT ALL TIMES.

Check the LOW-VOLTAGE wiring that comes from the floor connection BOX A

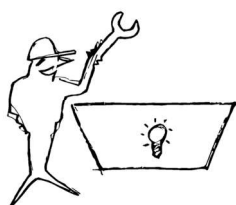
1. minimum water protection of IPX5
2. minimum length of approx. 50cm
3. cable diameter minimum 4mm maximum 8mm
4. positioning at 27cm from the centre at the the seatback of the bathtub.



EN



LTT™



ELECTRIC INSTALLATION of LTT bathtub

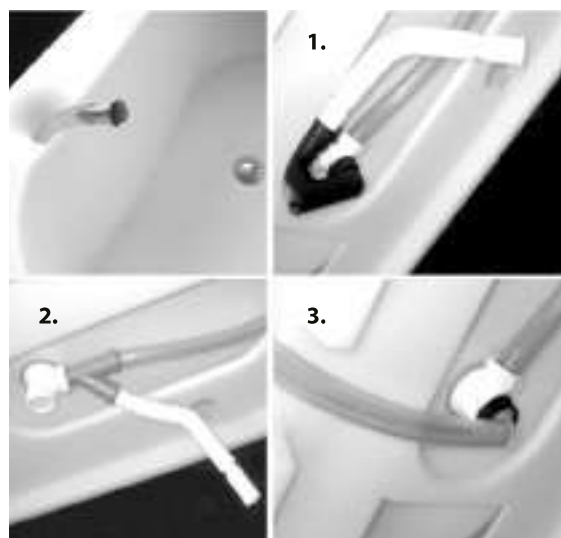
1. make sure installation is done by a qualified electrician
2. fix the illumination-LED into the OUTER (smallest 40mm) holes. See picture
3. connect to the LOW-VOLTAGE supplies underneath the bathtub, using the supplied IPX5 connection-tube
4. Now fix the bathtub firmly to the floor, or just slide over 2 bolts, over the pre-drilled holes at the extreme ends of the tub. (see page 4).



HYDRAULIC INSTALLATION of LTT bathtub

A. WASTE / DRAIN

1. make sure the hydraulic installation is done by a qualified installer
2. LIGHT is equipped with mounted overflow and drainage. Control the correct fixing of those so that no water losses exist
3. Standard fixing : with included 40mm syphon necessitates lowered floor centre-area of the tub : see illustration (1.)
4. Fixing on a plain floor : see illustration (2.)
5. Flexible lateral drainage : see illustration (3.)
6. LIGHT must be mounted and used on a dry floor only
7. LIGHT is not a toy. The presence of an adult is necessary when a child is using the product. WET declines whichever responsibility for incidents that are the result of a non appropriate use.



EN



LTT™

B. WATER SUPPLY

1. WET® FAUCET MX Flex bath



FLOOR FIXING of LTT bathtub

STANDARD FIXATION

1. Mount 2x M10 bolts on the floor, corresponding to the extreme holes of the bathtub.
2. Simply slide over the bolts, the bathtub.
3. the bathtub will now be fixed so that not accidentally displacement will be possible, unless the bathtub will be lifted up deliberately.



EXTREME FIXATION

1. If firm fixation is requested, first fix 4 iron L-profiles onto the floor.
2. Fix the iron L-profiles with the bathtub with sideways screws.

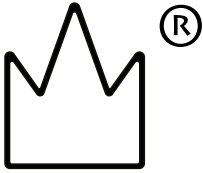


USER INSTRUCTIONS of LIGHT bathtub

LED white : in order to switch on/off the light connect the transformer * to a wall switch

Also foresee a wall switch in order to turn **on/off** the main power of the transformer *.

* MAKE SURE THE HIGH VOLTAGE TRANSFORMER IS MOUNTED AT A SAFE DISTANCE FROM THE USER AND THE PRODUCT AND WITH PROPER IPX5 PROTECTION.



LIGHT WASHBASINS by WET®



PRE-INSTALLATION of LIGHT washbasins

ALL WET APPLIANCES ARE LOW VOLTAGE APPLIANCES (A). Never mount the high voltage transformer (B) underneath the washbasin, but mount at a safe distance from any water-supply (behind the mirror or in another room) with appropriate IPX5 protection. Follow the established safety and security-rules of the country of installation so as indicated by country regulations, and check the particular safety-regulations of bathrooms in your country..

Foresee a wall-connectionbox (A) at indicated spot (see each specific illustration for each model) for the low-voltage connection with the washbasin. Foresee a connection between this low-voltage connection-box (A) and the distanced high voltage transformer (B).

Foresee all water connections (SUPPLY and WASTE) at indicated spots, see each specific illustration for each model.

ELECTRIC INSTALLATION of LIGHT washbasins

1. make sure installation is done by a qualified electrician
2. specific for LTB model > fix the illumination-LED into the OUTER (smallest 40mm) holes. See page LTB
3. specific for FUSION 1 & 3 > fix the illumination-LED onto the floor. See pages FS1 | FS3
4. connect the LOW-VOLTAGE supplies to the illumination-LED
5. Now fix the washbasin to the wall or floor fixing-set

HYDRAULIC INSTALLATION of LIGHT washbasins

1. make sure the hydraulic installation is done by a qualified installer only and follow standard installation indications.
2. specific for LTB model > See page 7
3. specific for FUSION 1 & 3 model > See pages 8 & 9

USER INSTRUCTIONS of LIGHT washbasins

LED white : in order to switch on/off the light connect the transformer * to a wall switch

Also foresee a wall switch in order to turn **on/off** the main power of the transformer *.

* MAKE SURE THE HIGH VOLTAGE TRANSFORMER IS MOUNTED AT A SAFE DISTANCE FROM THE USER AND THE PRODUCT AND WITH PROPER IPX5 PROTECTION.

EN



LTB™

Light Basin™

LTB™ washbasin 38x48x18cm / wall mounted / ©2002 CE

ELECTRIC INSTALLATION of LIGHT washbasin



HYDRAULIC INSTALLATION

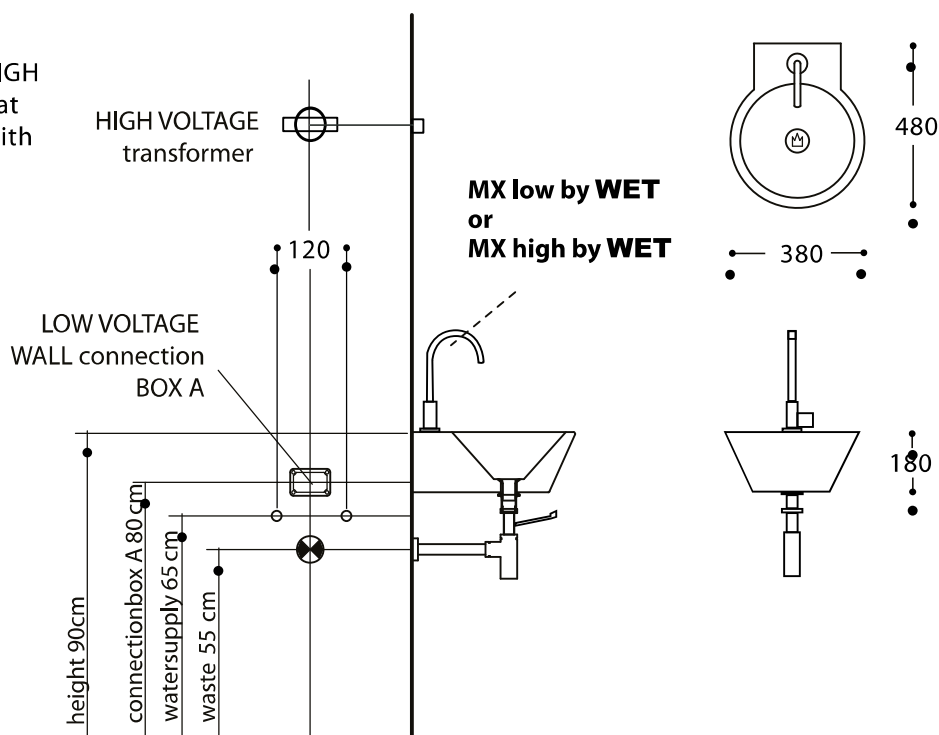
Wall mounted

MX high

MX low



Mount the included HIGH VOLTAGE transformer at appropriate distance with protection IPX5



EN



FS 3™

Fusion 3™

FS 3™ free standing wash basin 48x48x88cm / free-standing / ©20016 CE

FLOOR FIXING and WATER SUPPLY

Floor fixing set



AC5 + side fct



AC5 + MXsolo



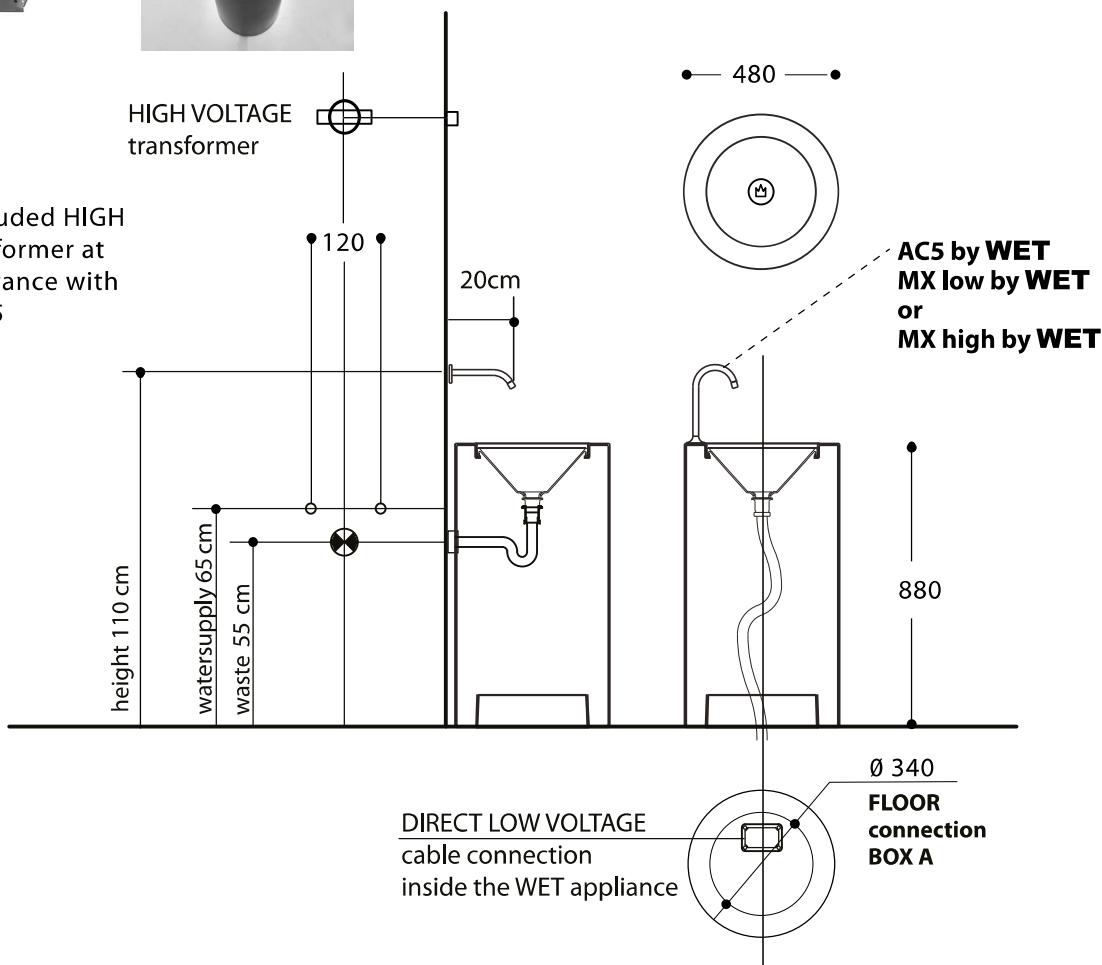
MX High



ELECTRIC INSTALLATION FLOOR FIXING



Mount the included HIGH VOLTAGE transformer at appropriate distance with protection IPX5



EN



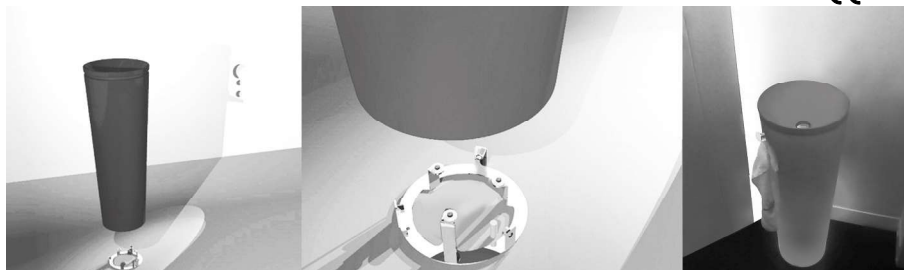
FSI™

FUSION I™

FSI™ free standing ash basin 34x34x90cm / free-standing / ©2008

FLOOR FIXING of FUSION I free standing washbasin

CE

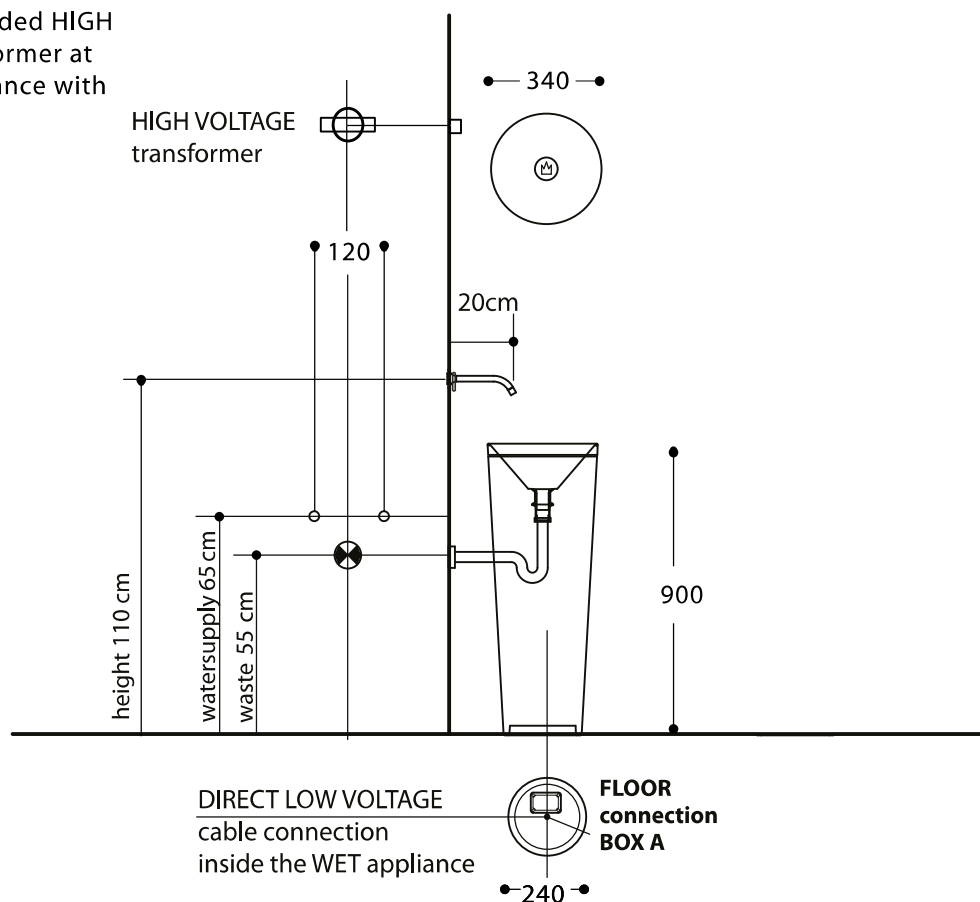


WATER SUPPLY

Wall mounted



Mount the included HIGH VOLTAGE transformer at appropriate distance with protection IPX5



EN**Pe**

LIGHT MATERIAL POLYETHYLENE **LIGHT by WET®**



enjoy nature

**All WET products are designed and produced with the highest respect for nature.
Recyclable materials are used wherever possible
WET uses fully recyclable carton only for their packing**

Traditional bathtubs are made of PMMA. LIGHT is made of Polyethylene (PE). PE is totally different than PMMA, and has completely different characteristics. It is therefore absolutely necessary to read and follow these instructions :



PE has a hardness of "D/41-50 shore"



which is absolutely less than most other plastics, including PMMA, and it is for this reason that LIGHT is finished with a superficial texture. This texture will help to avoid scratches. LIGHT has been checked on its perfect conditions before leaving our establishment. LIGHT is packed in export-quality packaging. We did everything to make a perfect product, with a perfect protection. After installation, and during normal use, LIGHT does not scratch, but due to the low hardness coefficient of PE, LIGHT can however not be guaranteed against small scratches that can be repaired with a hairdryer (moving the hot air over the scratch), nor when appear during use, nor those present at purchase.



PE is a soft material

PE will always be slightly deformable, and when you enter a LIGHT tub, the bottom will slightly deform. This is normal, and will even be more present with hot water than with cold water. In fact, LTT is NOT a 'standing-up shower-bathtub, but a 'lying-down/relax bathtub.



NEVER put in contact mentioned products PE

Dichloromethane, fluorine, perchloroethylene, trichloroethylene, acetone, gasoline, benzol, ethylene, ozone, toluol. For normal cleaning please use normal water, even without soap. After cleaning one can dry with a soft towel. NEVER use rough cloth or else in order to avoid scratching.



PE is 100% recyclable and can be put with the empty bottles after its lifecycle. In some countries it does have to be presented in smaller pieces.

The maximum temperature of PE is 40 à 45°C

It is severely forbidden to put water inside with higher temperatures. A comfortable bathing temperature is between 38° till 42°C. Higher temperatures can cause serious burning-injuries, and the maximum temperatures are therefore absolutely sufficient to bath in comfort.

DO NOT fill LIGHT first with boiling water in order to afterwards 'add cold water > but fill with ready mixed water. Temperatures higher than 60°C can destruct PE and LIGHT is NOT guaranteed against deformation due to too high temperatures.

2/2