

FUSION™ basin by WET®
max 12 Volt - max 0,26A (halogene)

1

FUSION™
basin by
WET®

English



2

ENGLISH

FUSION™
basin by
WET®

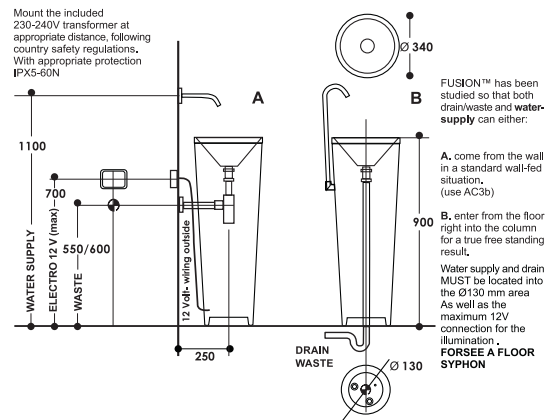
FUSION™ basin by WET®
max 12 Volt - max 0,26A (halogene)

NEVER MOUNT THE TRANSFORMER UNDERNEATH THE SINK
MOUNT AT APPROPRIATE DISTANCE WITH APPROPRIATE IPX5 PROTECTION
SO THAT THE HIGH VOLTAGE CIRCUIT
IS SECURELY DISTANCED AND AWAY FROM THE SINK
follow at all times the established security-rules of the country of installation

The security of the product can only be guaranteed when installation is done following these instructions. Installation has to be done by qualified installers only, both electrician and plumber, and according to the established security and safety-rules of the country of installation. It is also necessary to conserve these instructions for eventual future consultations.

A damaged appliance or cable cannot be replaced. In that case the light-appliance has to be destroyed.

All LIGHT by WET® appliances use 12V - G4 - 20Watt (maximum)
For RGB version use INCLUDED LED



FUSION™ basin by WET®

3

ENGLISH

FUSION™
basin by
WET®

4.1 PRE-INSTALLATION

4.1.1 Protection of the wiring

Make sure that the wiring that comes from the floor has a minimum protection of IPX5 in watertightness, and 60N in physical fixture. Make also sure that the electricity-line has a MAXIMUM Voltage of 12V and do respect all security-indications of the country of installation.

4.1.2 Positioning of the wiring

12 Volt-electricity should come out of the floor - inside the 130 mm diameter area of the floor-fixed illumination set - and connect using the included IPX5 connection-tube. The wiring should not exceed in length, in order NEVER to come in contact with the illumination-bulbs, and so prevent the wiring from burning.

4.1.3 Positioning of the 12V transformer with ON/OFF wall-switch.

All LIGHT by WET appliances need to be able to be switched on/off with a wall switch. The wall switch should be cutting off the entire electricity stream, in both LED-RGB version as well as the LT-halogene version. The LT-halogene version can be equipped with wall-dimmer for dimmer-effect. **The transformer may NEVER be positioned underneath the washbasin or in any place where a direct contact with a person is possible.**

4.2 INSTALLATION

4.2.1 Fix the fixation-ring properly / firmly onto the floor, so that once the Fusion will be completely mounted no accidental movement will be possible. Connect the 12 Volt line to the illumination-set using the included IPX5 connection-tube and assure that the wiring can NOT come in contact with the illumination-bulbs in order to prevent the wiring from burning.

4.2.1 Specific instructions

LT-halogene version : Switch on/off with wall switch, or wall-dimmer for dimmer-effect (ask your electrician for a wall-dimmer)

Make sure the all LIGHT by WET appliances obtain at all times a watertightness of at least IP66 at upper and lateral sides / and IP44 at the bottom-side once installed. The appliance has to be placed in an upright position only, and be positioned on a dry surface.



enjoy nature

All WET products are designed and produced with the highest respect for nature. Recyclable materials are used wherever possible. WET uses fully recyclable carton only for their packing

LIGHT material Polyethylene

Traditional bathtubs are made of PMMA, LIGHT is made of Polyethylene (PE), PE is totally different than PMMA, and has completely different characteristics. It is therefore absolutely necessary to read and follow these instructions :

PE has a hardness of "D/41-50 shore"

which is absolutely less than most other plastics, including PMMA, and it is for this reason that LIGHT is finished with a superficial texture. This texture will help to avoid scratches. LIGHT has been checked on its perfect conditions before leaving our establishment, LIGHT is packed in export-quality packaging. We did everything to make a perfect product, with a perfect protection. After installation, and during normal use, LIGHT does not scratch, but due to the low hardness coefficient of PE, LIGHT can however not be guaranteed against small scratches that can be repaired with a hair phone (placing the hot air over the scratch), nor when appear during use, nor those present at purchase.

PE is a soft material

PE will always be slightly deformable, and when you enter a LIGHT tub, the bottom will slightly deform. This is normal, and will even be more present with hot water then with cold water. In fact, LTT is NOT a 'standing-up shower-bathtub, but a 'lying-down/relax bathtub.

NEVER put in contact mentioned products PE

Dichloromethane, fluorine, perchloroethylene, trichloroethylene, acetone, gasoline, benzol, ethylene, ozone, toluol. For normal cleaning please use normal water, even without soap. After cleaning one can dry with a soft towel, NEVER use rough cloth or else in order to avoid scratching.

PE is 100% recyclable and can be put with the empty bottles after its lifecycle. In some countries it does have to be presented in smaller pieces.

The maximum temperature of PE is 40 à 45°C

It is severely forbidden to put water inside with higher temperatures. A comfortable bathing temperature is between 38° till 42°C. Higher temperatures can cause serious burning-injuries, and the maximum temperatures are therefore absolutely sufficient to bath in comfort.



4

ENGLISH

LIGHT
material
POLYETHYLENE



DO NOT fill LIGHT first with boiling water in order to afterwards 'add cold water > but fill with ready mixed water. Temperatures higher than 60°C can destruct PE and LIGHT is NOT guaranteed against deformation due to too high temperatures.