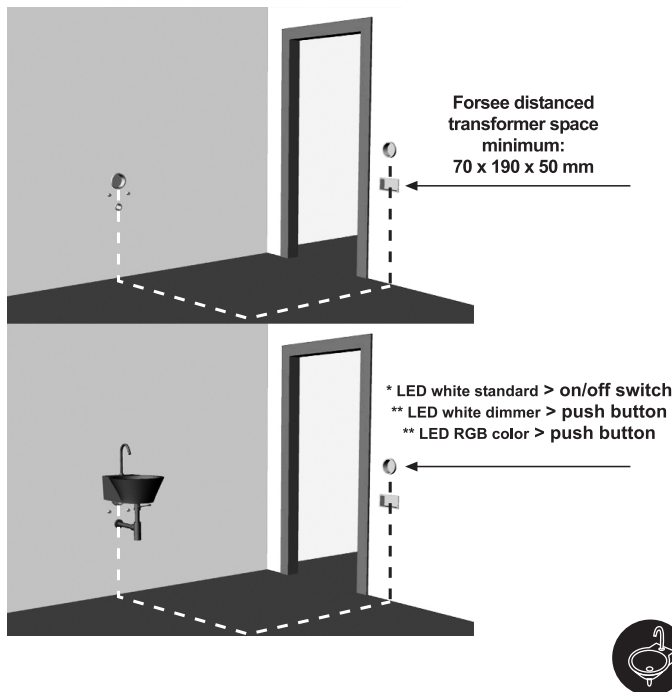


**LIGHT basin LTB™ by WET®**  
LED / 4,2 Watt / 350 mA

**1**  
LIGHT basin  
LTB™  
by WET®

**English**



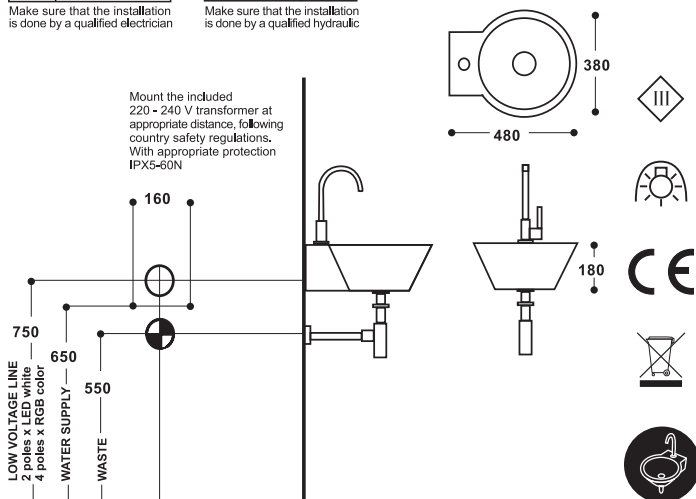
**LIGHT basin LTB™ by WET®**  
LED / 4,2 Watt / 350 mA

**2**  
ENGLISH  
LIGHT basin  
LTB™  
by WET®

**NEVER MOUNT THE TRANSFORMER UNDERNEATH THE SINK  
MOUNT AT APPROPRIATE DISTANCE WITH APPROPRIATE IPX5 PROTECTION  
SO THAT THE HIGH VOLTAGE CIRCUIT  
IS SECURELY DISTANCED AND AWAY FROM THE SINK  
follow at all times the established security-rules of the country of installation**

The security of the product can only be guaranteed when installation is done following these instructions. Installation has to be done by qualified installers only, both electrician and plumber, and according to the established security and safety-rules of the country of installation. It is also necessary to conserve these instructions for eventual future consultations.

A damaged appliance or cable cannot be replaced. In that case the light-appliance has to be destroyed.



**LIGHT basin LTB™ by WET®**

**3**  
ENGLISH  
LIGHT basin  
LTB™  
by WET®



Fixing the lampholder  
The lampholder of LIGHT by WET® has to be fixed in the outer/ smallest (40 mm) hole.

**2.1 PRE-INSTALLATION**

**2.1.1 Protection of the wiring**

Make sure that the electric wiring that comes from the wall has a minimum protection of IPX5 in watertightness, and 60N in physical fixture. Make also sure that the electricity-line has a **MAXIMUM 350mA / low voltage**, and do respect all security-indications in force in the country of installation.

**2.1.2 Positioning of the wiring**

350mA electricity should come out of the wall on the centre-line at 750mm height, where a connection-box should offer space for connection between the 350mA line and the wiring coming from LTB.

**2.1.3 Foresee at all times an ON/OFF wall-switch\* / PUSH BUTTON wall-switch\*\***

All LIGHT LTB washbasins/sinks need to be able to be turned on/off with a wall-switch. **The transformer may NEVER be positioned underneath the washbasin or in any place where a direct contact with a person is possible.**

**2.2 INSTALLATION**

**2.2.1 Wire-fixture**

Connect the low voltage line with LTB inside the connection-box.

**2.2.2 Specific instructions**

LED-RGB-version : Switch on/off with wall-switch. Keep pressed until desired color is achieved / keep pressed 30 seconds for automatic color cycle.

Make sure the LIGHT LTB washbasin/sink obtains, at all times a watertightness of at least IP66 at upper and lateral sides and IP44 at the bottom-side once installed. LIGHT LTB washbasin/sink has to be properly fixed to the wall in upright-position.



**enjoy nature**

All WET products are designed and produced with the highest respect for nature. Recyclable materials are used wherever possible. WET uses fully recyclable carton only for their packing.

**LIGHT material Polyethylene**

Traditional bathtubs are made of PMMA. LIGHT is made of Polyethylene (PE). PE is totally different than PMMA, and has completely different characteristics. It is therefore absolutely necessary to read and follow these instructions :

**PE has a hardness of "D/41-50 shore"**

which is absolutely less than most other plastics, including PMMA, and it is for this reason that LIGHT is finished with a superficial texture. This texture will help to avoid scratches. LIGHT has been checked on its perfect conditions before leaving our establishment. LIGHT is packed in export-quality packaging. We did everything to make a perfect product, with a perfect protection. After installation, and during normal use, LIGHT does not scratch, but due to the low hardness coefficient of PE, LIGHT can however not be guaranteed against small scratches that can be repaired with a hair phone (placing the hot air over the scratch), nor when appear during use, nor those present at purchase.

**PE is a soft material**

PE will always be slightly deformable, and when you enter a LIGHT tub, the bottom will slightly deform. This is normal, and will even be more present with hot water than with cold water. In fact, LTB is NOT a 'standing-up shower-bathtub, but a 'lying-down/relax bathtub.

**NEVER put in contact mentioned products PE**

Dichloromethane, fluorine, perchloroethylene, trichloroethylene, acetone, gasoline, benzol, ethylene, ozone, toluol. For normal cleaning please use normal water, even without soap. After cleaning one can dry with a soft towel. NEVER use rough cloth or else in order to avoid scratching.

**PE is 100% recyclable** and can be put with the empty bottles after its lifecycle. In some countries it does have to be presented in smaller pieces.

**The maximum temperature of PE is 40 à 45°C**

It is severely forbidden to put water inside with higher temperatures. A comfortable bathing temperature is between 38° till 42°C. Higher temperatures can cause serious burning-injuries, and the maximum temperatures are therefore absolutely sufficient to bath in comfort.

DO NOT fill LIGHT first with boiling water in order to afterwards 'add cold water > but fill with ready mixed water. Temperatures higher than 60°C can destruct PE and LIGHT is NOT guaranteed against deformation due to too high temperatures.

**4**  
ENGLISH  
LIGHT  
material  
POLYETHYLENE

