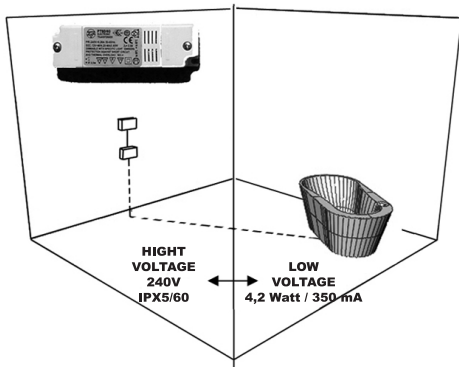
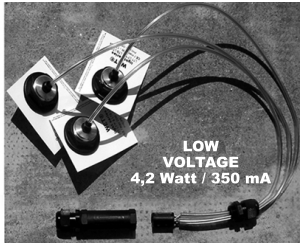


# LIGHT tub LTT™ by WET® LED / 4,2 Watt / 350 mA

**NEVER MOUNT THE TRANSFORMER UNDERNEATH THE BATHTUB  
MOUNT AT APPROPRIATE DISTANCE  
WITH APPROPRIATE IPX5 PROTECTION  
SO THAT THE HIGH VOLTAGE CIRCUIT  
IS SECURELY DISTANCED AND AWAY FROM THE BATHTUB  
follow at all times the established  
security-rules of the country of installation**



**1**  
ENGLISH  
LIGHT tub  
LTT™  
by WET®



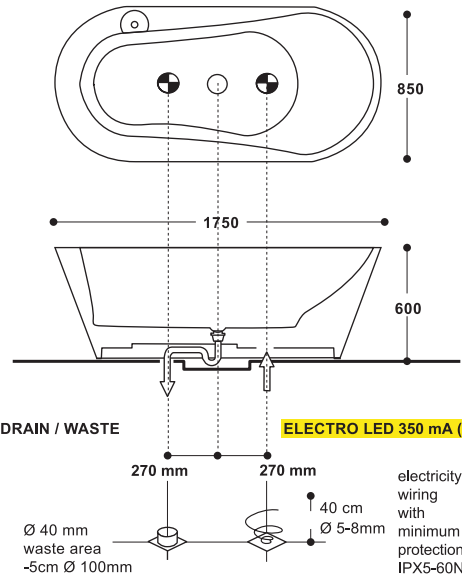
# LIGHT tub LTT™ by WET®

The security of the product can only be guaranteed when installation is done following these instructions.

Installation has to be done by qualified installers only, both electrician and plumber, and according the established security and safety-rules of the country of installation. It is also necessary to conserve these instructions for eventual future consultations.

A damaged appliance or cable cannot be replaced. In that case the light-appliance has to be destroyed.

**All LIGHT by WET® appliances use LED 350 mA(maximum)  
For RGB version use INCLUDED LED**



**2**  
ENGLISH  
LIGHT tub  
LTT™  
by WET®

# LIGHT tub LTT™ by WET®



**Fixture lampholder**  
The lampholder of LIGHT by WET® has to be fixed in the outer/smallest (40 mm) hole.

**3**  
ENGLISH  
LIGHT tub  
LTT™  
by WET®

## 1.1 PRE-INSTALLATION

**1.1.1 Protection of the wiring**  
Make sure that the electric wiring that comes from the floor has a minimum protection of IPX5 in watertightness, and 60 Newton in physical fixture. Make also sure that the electricity-line has a **MAXIMUM Voltage of 350mA**, and do respect all security-indications in force in the country of installation.

**1.1.2 Positioning of the wiring**  
Low voltage electricity should come out of the floor at 270mm out of the centre, at the head (shoulder) side underneath the tub, with a length of approx 40 cm, in order to be able to connect without interruptions into the supplied IP-connection-tube with an IPX5/ 60N protection.

**1.1.3 Positioning of the transformer with ON/OFF wall-switch**  
The transformer has to be positioned into the wall, at appropriate distance from the bathtub and/or any other water-supply, with appropriate IPX5 protection and conform with all security indications of the country of installation. **The transformer may NEVER be positioned underneath the bathtub or in any place where a direct contact with a person is possible.**

**1.1.4** The electricity-line that feeds the transformer needs to be able to be turned off when needed and in the case of repair, and always after use. The wall-switch should be cutting off the entire electricity-stream, and can be equipped with wall-switch-dimmer when a dimmer-effect is desired.

## 1.2 INSTALLATION

**1.2.1 Wire-fixture**  
Connect the wiring coming from the floor to the wiring coming from the lamps through the included IP-connection-tube, making sure a watertightness of IPX5 is obtained, and a physical fixture of at least 60N (=ca. 6kg) is obtained.

**1.2.2 Positioning, protection and general fixture**  
Make sure the LIGHT LTT bathtub obtains, at all times a watertightness of at least IP66 at upper and lateral sides and IP44 at the bottom-side once installed. LIGHT LTT bathtub has to be **fixed onto the floor**, or should at least be slid over 2 bolts, using the pre-drilled 10mm holes at each side of the bottom-outer-line of the tub, so that no accidental movements are possible. It has to be placed in upright-position.

**1.2.3 LIGHT LTT bathtub has to be positioned on a dry floor**

**1.2.4. LIGHT LTT bathtub is not a toy. Children should at all times be guarded**



**enjoy nature**

All WET products are designed and produced with the highest respect for nature. Recyclable materials are used wherever possible. WET uses fully recyclable carton only for their packing.

## LIGHT material Polyethylene

Traditional bathtubs are made of PMMA. LIGHT is made of Polyethylene (PE). PE is totally different than PMMA, and has completely different characteristics. It is therefore absolutely necessary to read and follow these instructions :

**PE has a hardness of "D/41-50 shore"** which is absolutely less than most other plastics, including PMMA, and it is for this reason that LIGHT is finished with a superficial texture. This texture will help to avoid scratches. LIGHT has been checked on its perfect conditions before leaving our establishment. LIGHT is packed in export-quality packaging. We did everything to make a perfect product, with a perfect protection. After installation, and during normal use, LIGHT does not scratch, but due to the low hardness coefficient of PE, LIGHT can however not be guaranteed against small scratches that can be repaired with a hair phone (placing the hot air over the scratch), nor when appear during use, nor those present at purchase.

**PE is a soft material**  
PE will always be slightly deformable, and when you enter a LIGHT tub, the bottom will slightly deform. This is normal, and will even be more present with hot water than with cold water. In fact, LTT is NOT a 'standing-up shower-bathtub, but a 'lying-down/relax bathtub.

**NEVER put in contact mentioned products PE**  
Dichloromethane, fluorine, perchloroethylene, trichloroethylene, acetone, gasoline, benzol, ethylene, ozone, toluol. For normal cleaning please use normal water, even without soap. After cleaning one can dry with a soft towel. NEVER use rough cloth or else in order to avoid scratching.

**PE is 100% recyclable** and can be put with the empty bottles after its lifecycle. In some countries it does have to be presented in smaller pieces.

**The maximum temperature of PE is 40 à 45°C**

It is severely forbidden to put water inside with higher temperatures. A comfortable bathing temperature is between 38° till 42°C. Higher temperatures can cause serious burning-injuries, and the maximum temperatures are therefore absolutely sufficient to bath in comfort.

**DO NOT fill LIGHT first with boiling water** in order to afterwards 'add cold water > but fill with ready mixed water. Temperatures higher than 60°C can destruct PE and LIGHT is NOT guaranteed against deformation due to too high temperatures.

**4**  
ENGLISH  
LIGHT  
material  
POLYETHYLENE

