

instructions SYPHON 2 / WET

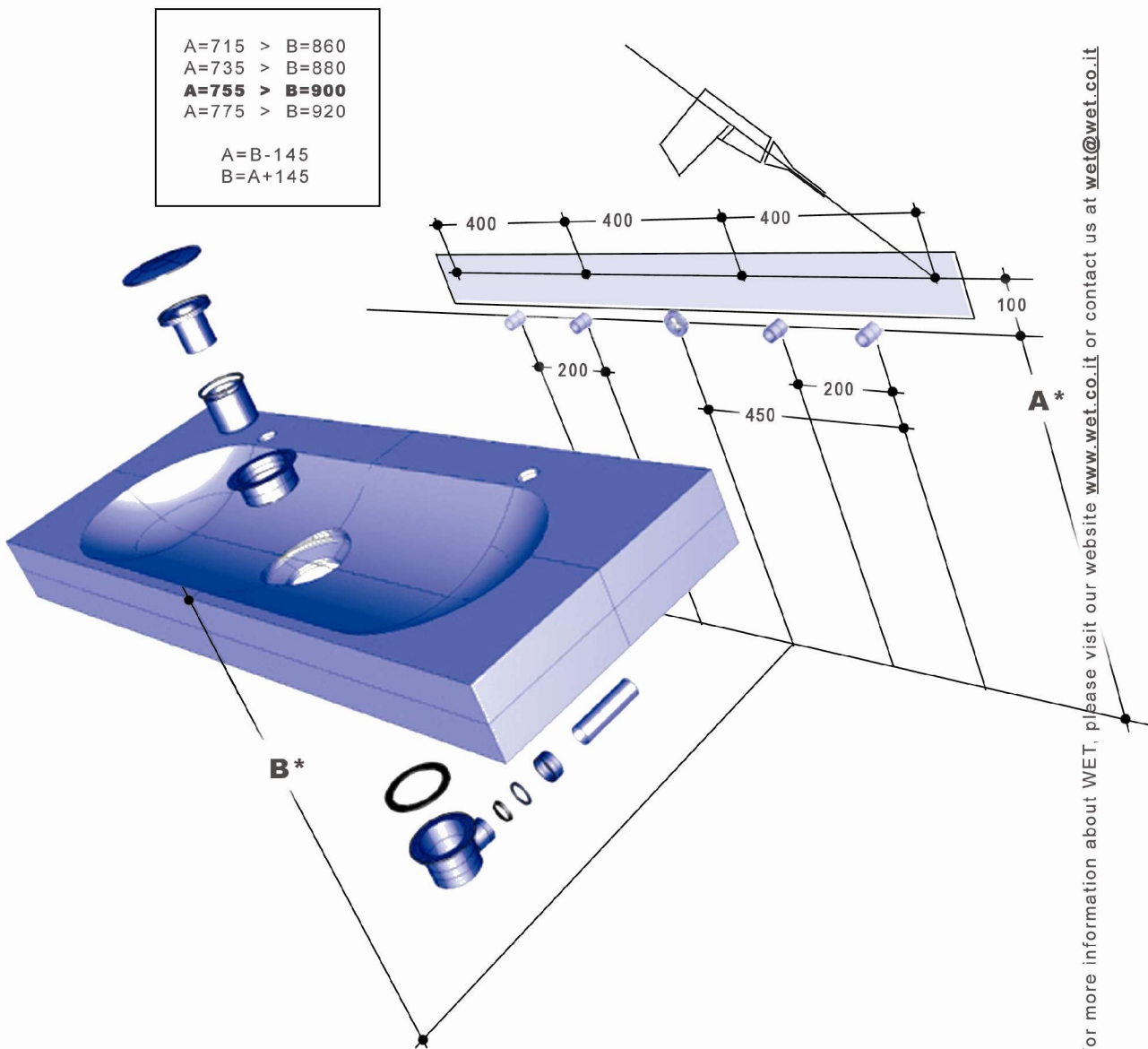
1. make sure all water-supplies are mounted on 1 line, at height A*
2. measure your wall-fixing at 100mm (+/-5mm!) above this line
3. height A* decides the height of the basin B* (see scheme)

1. assicura che tutti i carichi e scarichi sono montati su 1 linea, ad altezza A*
2. misura i fori per l'aggancio a muro a 100mm (+/-5mm!) da questa linea
3. altezza A* decide l'altezza del lavandino B* (vedi schema)

1. zorg dat watertoevoer en waterafvoer op 1 lijn gemonteerd zijn, op hoogte A*
2. meet de muurbevestiging op 100mm (+/-5mm!) vanaf deze lijn
3. hoogte A* bepaald de hoogte van de wastafel B* (zie tabel)

A=715	>	B=860
A=735	>	B=880
A=755	>	B=900
A=775	>	B=920

A=B-145
B=A+145



for more information about WET, please visit our website www.wet.co.it or contact us at wet@wet.co.it